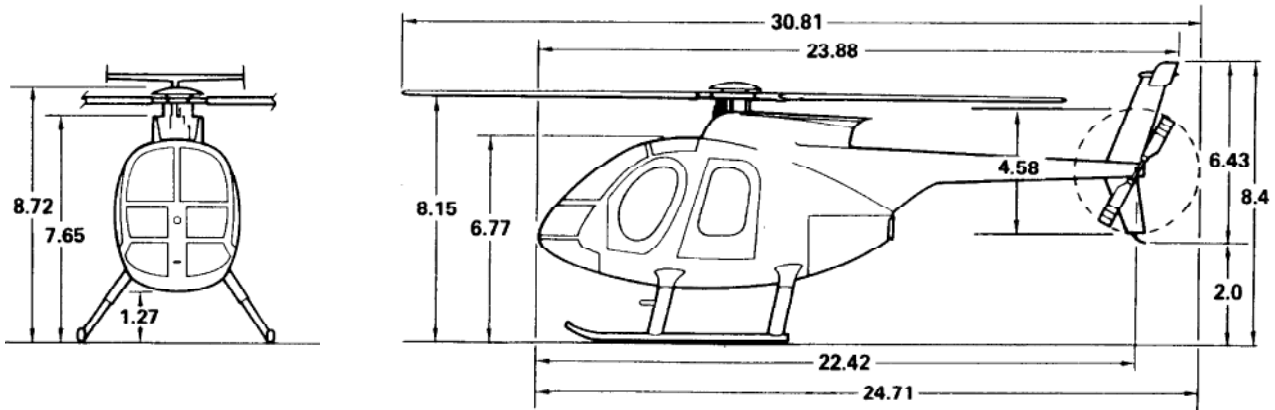
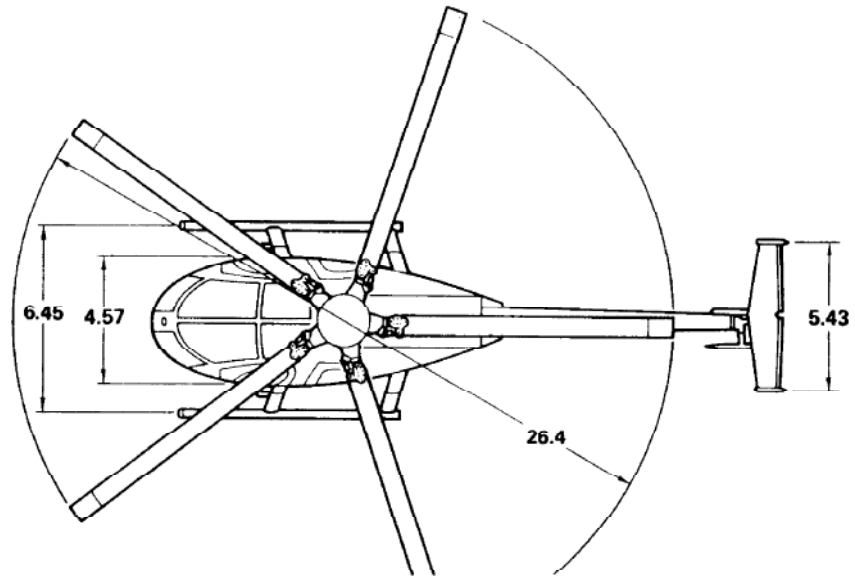


General

**NOTES:**

1. HELICOPTER ON GROUND WITH FULL FUEL. TYPICAL ATTITUDE OF CARGO DECK 4.7 DEGREES NOSE UP.
2. IF OPTIONAL EXTENDED LANDING GEAR IS INSTALLED, ADD 0.87 FEET TO ALL VERTICAL DIMENSIONS.
3. ALL DIMENSIONS ARE IN FEET.



F03-002

**Figure 1-1. MD 500E Principal Dimensions - Standard Landing Gear**