

NOTES:

1. HELICOPTER ON GROUND WITH FULL FUEL. TYPICAL ATTITUDE OF CARGO DECK +4.7 DEGREES NOSE UP.
2. IF EXTENDED LANDING GEAR IS INSTALLED ADD 0.87 FEET TO ALL VERTICAL DIMENSIONS

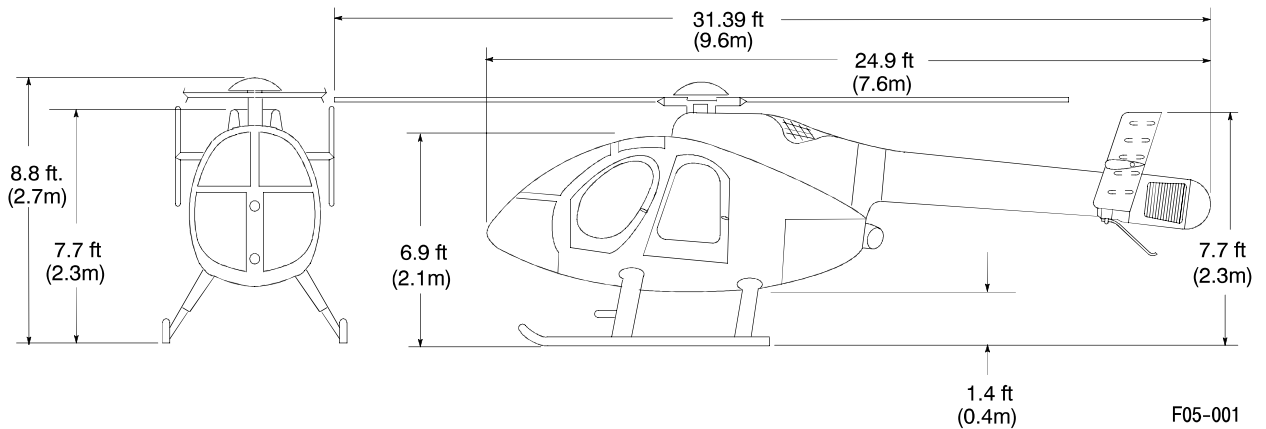


Figure 1-1. MD 520N Principal Dimensions – Standard Landing Gear