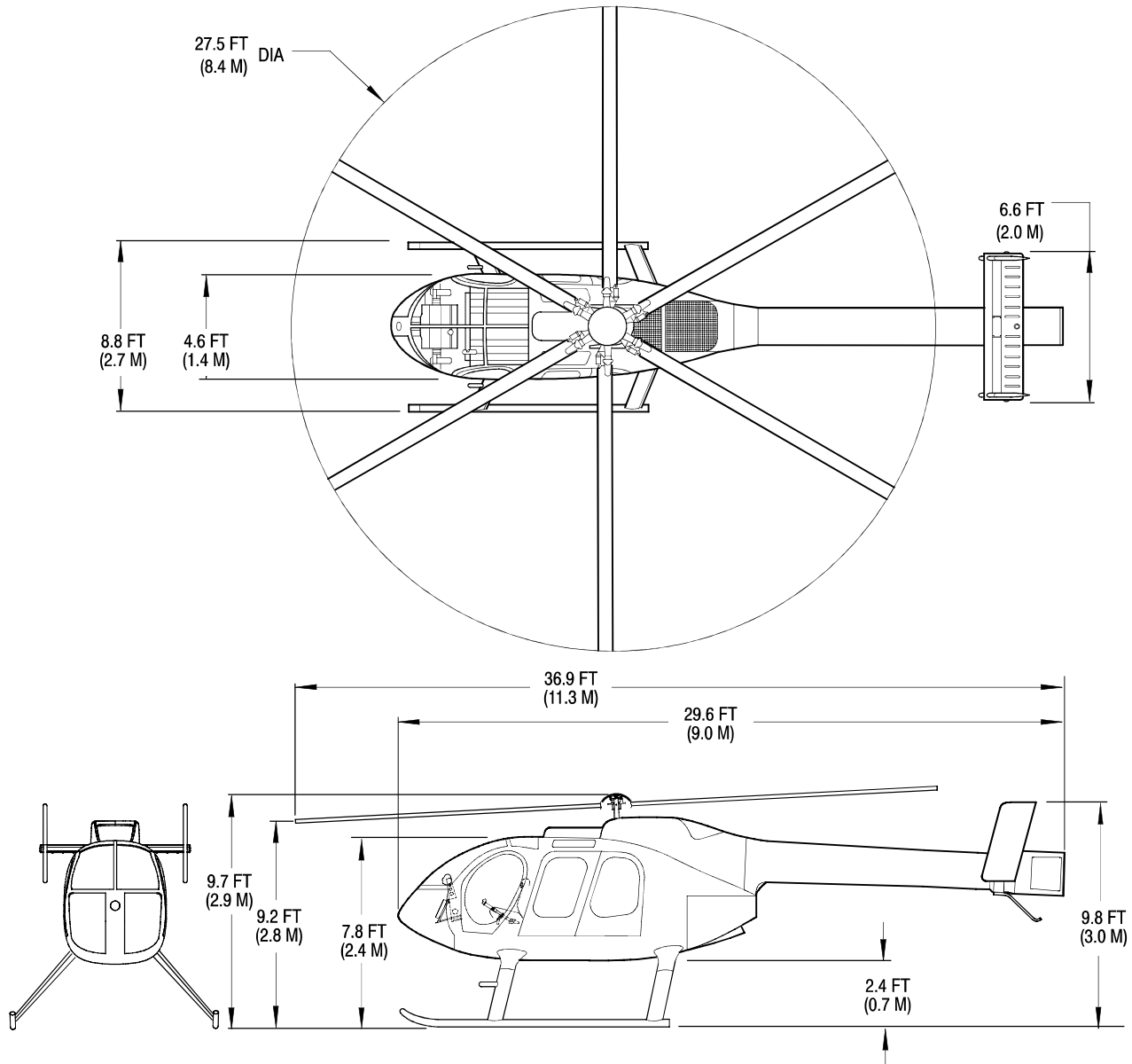


1-11. DIMENSIONS

Dimensions:

Refer to Figure 1-1 and Figure 1-2 for exterior and interior dimensions.



GENERAL NOTES:

1. HELICOPTER ON GROUND WITH FULL FUEL.
TYPICAL ATTITUDE OF CARGO DECK 5.3 DEGREES NOSE UP.
2. HEIGHT ABOVE GROUND DIMENSIONS VARY WITH INSTALLED EQUIPMENT, CENTER OF GRAVITY AND TERRAIN FEATURES.
3. ALL DIMENSIONS SHOWN DEPICT EXTENDED LANDING GEAR.

F60-003B

Figure 1-1. MD600N Rotorcraft Principal Dimensions