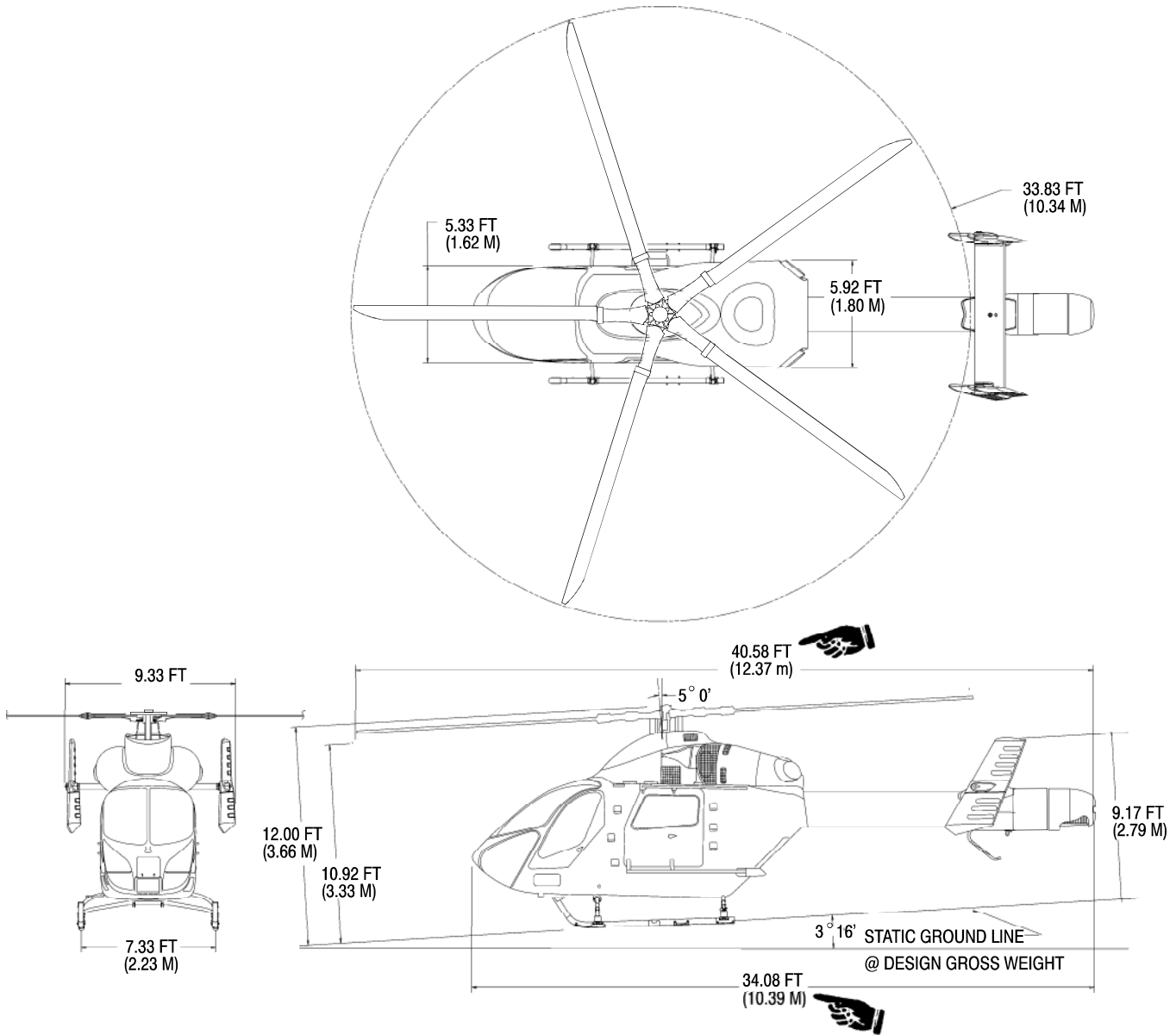


1-11. DIMENSIONS

Refer to Figure 1-1 and Figure 1-2 for exterior dimensions and interior volumes.



F92-002B

Figure 1-1. MD Explorer Rotorcraft Principal Dimensions